

Smart Adapter

General Description

A Smart Adapter provides the interface to SoftPLC Corporation's Tealware™ I/O for both SoftPLC PAC CPU's and any vendor's controller that supports ModbusTCP Ethernet, it's the SMART choice!

Tealware is a modular I/O system. A wide variety of discrete, analog and specialty modules are available in this robust and proven I/O system.

Two interface options provide affordable options for remote I/O drops with only a few I/O, or those with up to 768 I/O points. With up to 127 drops per Ethernet, even the largest control systems can be accommodated.

I/O & System Configurations

The base Smart Adapter is combined with one of 2 different "daughter cards" for ultimate flexibility and expandability, tailoring the system to the application requirements, thus lowering cost and complexity.

For small I/O count systems, a "Backplane3" interface supports up to three (3) Tealware modules. The modules mount directly on top of the Smart Adapter, creating a very compact, yet flexible remote I/O drop.

For larger I/O requirements, a LocalPorts interface provides the ability to connect up to three (3) Tealware racks. Each rack can support up to 256 digital I/O (8 modules x 32 points/module), for a maximum capacity of $3 \times 256 = 768$ I/O points per Adapter.

I/O Racks (Cat No IOBASE06 or IOBASE08) are connected to the Smart LocalPorts interface using Expansion I/O cables (Cat No EXCBLx), for a high-speed connection between the Smart Adapter and the I/O racks. EXCBLx cables are available in 2 and 4 foot lengths. The racks can reside up to 30 feet from the Adapter.



*Smart Adapter w/ Backplane3 Interface
(without and with modules installed)*



*Smart Adapter w/
LocalPorts Interface*

Communications

The base Smart Adapter provides:

- ◆ (4) 10/100GB copper Ethernet port switch with (2) interfaces
- ◆ (1) stand-alone GB Ethernet port

Communication from the controller to the Smart Adapter is with ModbusTCP/UDP.

Ordering Information

Order a Smart Adapter using Cat No SM2A-x, where x is B for a Backplane3 or L for a LocalPorts interface.

A:OUTSIDE AIR

LES

A < B

A: N007:010

1609

B: 1936

FAN_ENABLE

B003

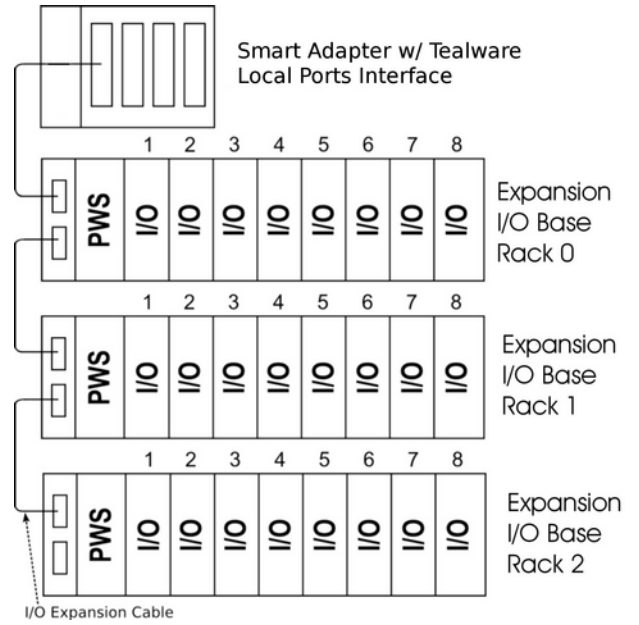
N010:028

10

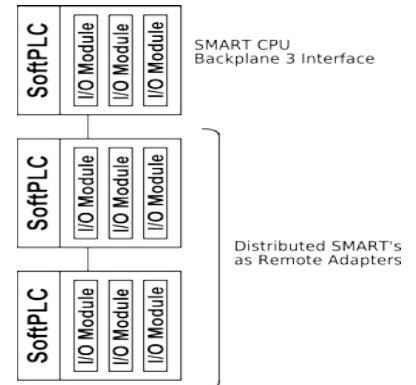
02

SPECIFICATIONS

Operating Temperature	0 to 60°C (storage -20 to 85°C) Extended Temp version: -20 to 70°C
Humidity	0-95%, non-condensing
Input Voltage Range	7~48 VDC
Power Requirements	2-5W
Ethernet Ports	(4) GB Ethernet port switch (w/ 2 unique host interfaces-MAC ID's) (1) Stand-alone GB port
Protocol	ModbusTCP/UDP
Dimensions (HxWxD)	5.75 x 6 x 1.5 in without modules (146.1 x 152.4 x 38.1 mm) 5.75 x 6 x 5.625 in. with Tealware modules (146.1 x 152.4 x 142.88 mm)
Packaging	Fanless/Diskless system, Metal enclosure DIN-rail mount Optional Panel Mount Bracket available
I/O Interfaces (only one/system)	Backplane3 - 3 Tealware™ modules LocalPorts - 4 connectors, each supports up to 3 Tealware racks
Security	Embedded Firewall/VPN (optional)



**Configuration Example - Smart Adapter w/
LocalPorts I/O Interface**



**Smart SoftPLC w/ Ethernet I/O plus
remote Smart Adapters**