

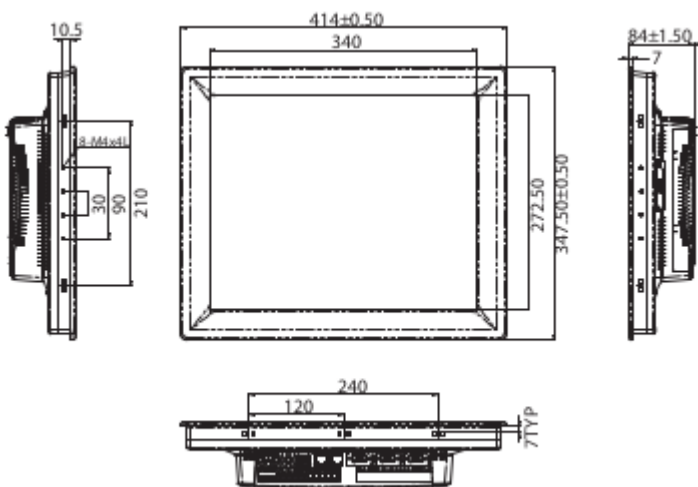
SoftPLC Web Studio HMI - Models SSH-17Xx (Where "x" is the runtime license size)

Standard models are equipped with Windows7 Embedded, a 32GB Compact Flash, and a softkey license. Alternative storage media, license types or other options are available. Contact SoftPLC for a quote to match your specific requirements.

| SPECIFICATIONS | | | |
|---------------------------|--|---------------------------------|--------------------------------------|
| SYSTEM HARDWARE | | LCD DISPLAY | |
| CPU | Intel Atom D525, 1.8GHz | Display Size / Type | 17" SXGA TFT LCD |
| Ports | LAN | 10/100/1000Base-T x 2 | Max Resolution |
| | Serial | RS-232 x 2, RS-422/485 x1 | Max Colors |
| | USB | USB 2.0 x 4 (Host) | Luminance cd/m² |
| | Other | PS/2 | Viewing Angle (H/V) |
| Expansion | 1/2 size PCI-E or full size Mini-PCI-E | Backlight Life | 50,000 hours |
| Memory | 4GB DDR2 SDRAM | Contrast Ratio | 800:1 |
| Watchdog Timer | 1~255 sec (system) | ENVIRONMENT | |
| TOUCHSCREEN | | Humidity | 10 ~ 95% @ 40°C, non-condensing |
| Lifespan (min) | 36M activations | Protection | Ingress |
| Light Transmission | Above 75% | | Vibration |
| Resolution / Type | Linearity / 5-wire, analog resistive | Temperature | Operating |
| | | | Storage |
| | | Certifications | BSMI, CCC, CE, FCC Class A, UL |
| MECHANICAL | | | |
| Enclosure | Front bezel: Die-cast Aluminum alloy Back housing: PC/ABS Resin | Power | Consumption |
| Weight (Net) | 6 kg, 13.23 lbs | | Input |
| Cooling System | Fanless Design | Recommended Power Supply | IOC-PS12024 |
| Dimensions (WxHxD) | 16.3 x 13.68 x 3.31 in 414 x 347.5 x 84mm | Panel Cut-Out Dimensions | 16.03 x 13.37 in 400.8 x 334.3 mm |

Dimensions

Units = mm



Rear View

