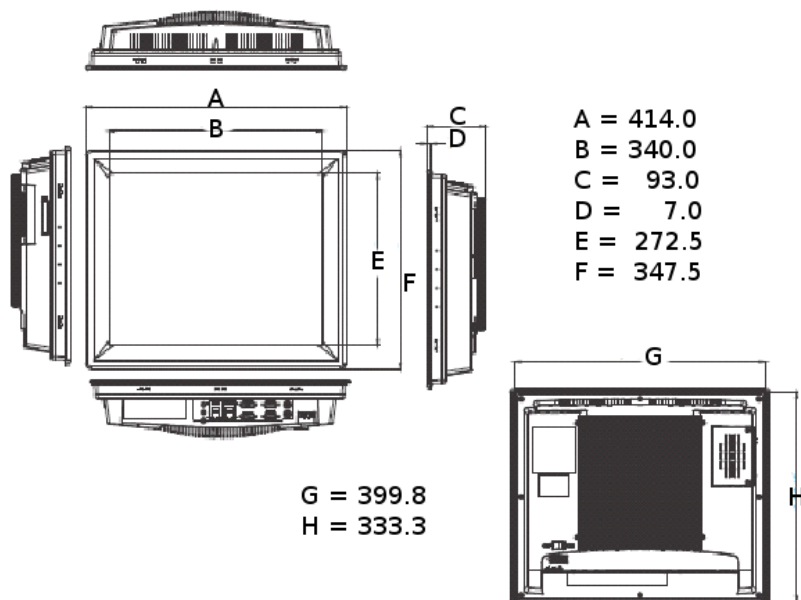


SoftPLC Web Studio - HMI Models SSH-17Wx (Where "x" is the runtime license size)

Standard models are equipped with Windows7, a 250GB Hard Drive, and a softkey license. Alternative storage media, license types or other options are available. Contact SoftPLC for a quote to match your specific requirements.

| SPECIFICATIONS | | | | |
|---------------------------|---|---|-------------------------------------|----------------------------|
| SYSTEM HARDWARE | | LCD DISPLAY | | |
| CPU | 1.5GHz Core 2 Duo L7400 | Display Size / Type | 17" SXGA TFT LCD | |
| Ports | LAN | 10/100/1000Base-T x 2 | Max Resolution | 1280 X 1024 |
| | Serial | RS-232 x 3 | Max Colors | 16.7 M |
| | USB | USB 2.0 x 4 (Host) | Luminance cd/m² | 300 |
| | Other | PS/2 keyboard, PS/2 mouse, VGA, MIC-in, Line-In, Line-Out | Viewing Angle (H/V) | 160/160 |
| Expansion | PCI-104 x1, RS-422/485 (optional) | Backlight Life | 50,000 hours | |
| Memory | 4GB DDR2 SDRAM | Contrast Ratio | 800:1 | |
| Watchdog Timer | 1~255 sec (system) | ENVIRONMENT | | |
| TOUCHSCREEN | | Humidity | 10 ~ 95% @ 40°C | |
| Lifespan (min) | 1M activations | Protection | Ingress | Front Panel: IP65 |
| Light Transmission | Above 75% | | Vibration | 1 Grms (Operating, Random) |
| Resolution / Type | Linearity / 8-wire, analog resistive | Temperature | Operating | 0 ~ 45°C, 32 ~ 113°F |
| | | | Storage | -20 ~ 60°C, -4 ~ 140°F |
| | | Certifications | BSMI, CCC, CE, FCC Class A, UL | |
| MECHANICAL | | | | |
| Enclosure | Front Bezel: Die-Cast Aluminum Housing: PC/ABS resin | Power | Consumption | 100W |
| Weight (Net) | 8 kg, 17.64 lbs | | Input | 18 ~ 32VDC |
| Cooling System | Fanless Design | Recommended Power Supply | ICO-PS12024 | |
| Dimensions (WxHxD) | 16.3 x 13.68 x 3.66 in 414 x 347.5 x 93 mm | Panel Cut-Out Dimensions | 16.3 x 13.37 in 400.8 x 334.3 mm | |

Dimensions Units = mm



Rear View

- Power Switch (Fuse)
- Power Receptor
- PS/2
- COM (RS-232)
- VGA
- USB 2.0
- Audio (MIC, Line in, Line out)
- 2.5: SATA HDD Housing
- LAN (10/100/1000)

