



# Power Over Ethernet Injector / Tap

## Catalog Numbers - SM-POE

### General Description

The SM-POE is an industrial Power-over-Ethernet device that provides DC power for one PoE-equipped device such as a Smart Netbox or Smart Gateway. It is compatible with equipment supporting the IEEE standard PoE pinout:

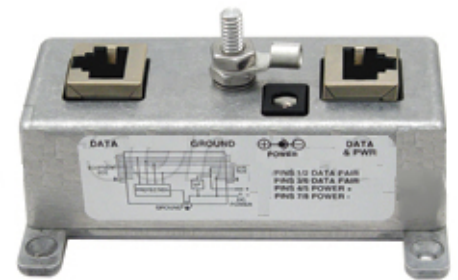
- + VDC Power: Pins 4&5
- VDC Power: Pins 7&8

Power-over-Ethernet eliminates the need for an AC outlet at each location. Only a single Ethernet cable is run to each instead of separate power and data cables. The injector is typically installed near the Ethernet Hub.

This unit can be used as either an "Injector" or as a "Tap." When used as an Injector, the device sends DC Power through the Ethernet cable to a remote PoE device. When used as a Tap, this unit taps the injected DC power from the Ethernet cable for use by certain non-PoE devices.

The integral lightning and surge protection individually protect the 4 data lines as well as provide protection for the power lines. High speed devices clamp voltage, positive or negative, on the wires. The limits are  $\pm 15$  volts on pins 1, 2, 3, 6, and  $\pm 50$  volts on pins 4, 5, 7, and 8.

The SM-POE features shielded RJ-45 jacks. This, along with the SM-POE's metal housing, helps reduce the effects of EMI interference.



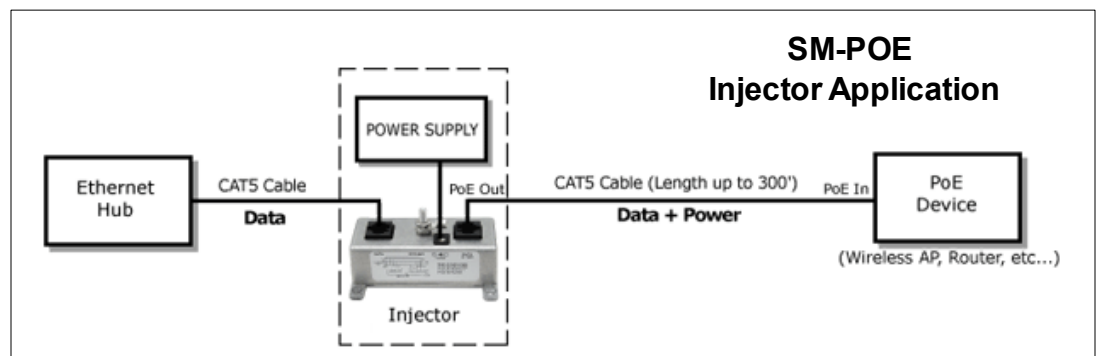
A ground lug and terminal are included directly on the injector housing providing superior grounding. The cast aluminum housing includes integral mounting feet for ease of installation.

### Features

- ◆ Lightning and surge protection on data and power lines
- ◆ Industrial grade cast aluminum housing
- ◆ Shielded RJ-45 jacks EMI Noise
- ◆ 120VAC power adapter is included

### Applications

- ◆ Smart Netbox
- ◆ Smart Gateway
- ◆ Wireless LAN Access Points and Bridges
- ◆ Wireless LAN WIFI Amplifiers and Amplified Antennas
- ◆ VoIP (Voice over Internet Protocol) Telephones
- ◆ IP Surveillance Cameras
- ◆ Bluetooth® Access Points
- ◆ Web Cameras



## Specifications

### Electrical

<b>Operating Temp - Injector</b>		-40°C ~ +70°C
<b>Operating Temp - Power Supply</b>		0°C ~ +50°C
<b>Max Current</b>		1A
<b>Power Connector</b>		Standard 2.5mm Coaxial DC Power Jack (2.5 x 5.5 x 10mm Center Positive Plug Required)
<b>Ethernet Connector</b>		(2) RJ-45 Jacks
<b>Data Lines</b>	<b>Pair 1</b>	Pins 1 and 2
	<b>Pair 2</b>	Pins 3 and 6
<b>CAT-5 Power Pinouts</b>	<b>+ VDC</b>	Pins 4 and 5
	<b>- VDC</b>	Pins 7 and 8

### Mechanical

<b>Weight</b>	.13 kg (.28 lbs)
<b>Dimensions</b>	91.4 x 35.5 x 38.1mm 3.6 x 1.4 x 1.2 inches
<b>Enclosure</b>	Cast Aluminum Alloy
<b>Standards</b>	RHoS Compliant (injector only)

