

Single Output Industrial DIN Rail Power Supply Catalog Numbers - ICO-PS60x

02/03/14

Features
Universal AC input/Full range
Protections: Short circuit / Overload / Over voltage
Cooling by free air convection
Can be installed on DIN Rail TS-35/7.5 or 15
Built in DC OK relay contact Active signal (max.) 30V/1A resistive
NEC class 2 / LPS compliant (ICO-PS6024 only)
LED indicator for power on
No load power consumption ,0.75W
100% full load burn-in test



Specifications				
Output				
	ICO-PS605	ICO-PS6012	ICO-PS6024	ICO-PS6048
DC Voltage	5V	12V	24V	48V
Rated Current	10A	5A	2.5A	1.25A
Current Range	0 ~ 10A	0 ~ 5A	0 ~ 2.5A	0 ~ 1.25A
Rated Power	50W	60W	60W	60W
Ripple & Noise (max.)²	80mVp-p	120mVp-p	150mVp-p	200mVp-p
Voltage Adj. Range	5 ~ 6 V	12 ~ 15 V	24 ~ 30 V	48 ~ 56 V
Voltage Tolerance³	±2.0%	±1.0%	±1.0%	±1.0%
Line Regulation	±1.0%	±1.0%	±1.0%	±1.0%
Load Regulation	±1.0%	±1.0%	±1.0%	±1.0%
Setup, Rise Time⁵	500ms, 30ms/230VAC		500ms, 30ms/115VAC at full load	
Hold Up Time (Typ.)	50ms/230VAC		20ms/115VAC at full load	

Input				
	ICO-PS605	ICO-PS6012	ICO-PS6024	ICO-PS6048
Voltage Range	85 ~ 264VAC		120 ~ 370VDC	
Frequency Range	47 ~ 63Hz			
Efficiency (Typ.)	78%	86%	88%	87%
AC Current (Typ.)	1.8A/115VAC		1A/230VAC	
Inrush Current (Typ.)	Cold Start 30A/115VAC		60A/230VAC	
Leakage Current	<1mA/240VAC			

Protection				
	ICO-PS4005	ICO-PS4012	ICO-PS4024	ICO-PS4048
Overload	105 ~ 150% rated output power			
	Protection type : Constant current limiting, recovers automatically after fault condition is removed			
Over Voltage	6.25 ~ 7.25V	15.6 ~ 18V	31.2 ~ 36V	57.6 ~ 64.8V
	Protection type : Shut down o/p voltage, re-power on to recover			

Function	
DC Signal OK	Relay contact rating(max.): 30V/1A resistive

Environment	
Working Temp.	-20 ~ +70°C(Refer to "Derating Curve)
Working Humidity	20 ~ 90%RH non-condensing
Storage Temp., Humidity	-40 ~ +85°C, 10 ~ 95% RH
Temp. Coefficient	±0.03%/°C (0 ~ 50°C)
Vibration	Component: 10 ~ 500Hz, 2G 10 min./1 cycle, period for 60 min. each along X, Y, Z axes; Mounting: Compliance to IEC60068-2-6

Safety & EMC (Note 4)	
Safety Standards	UL508, UL60950-1, TUV EN60950-1 approved
Withstand Voltage	I/P-O/P:3KVAC I/P-FG:2KVAC O/P-FG:0.5KVAC
Isolation Resistance	I/P-O/P, I/P-FG, O/P-FG:>100M Ohms / 500VDC / 25°C / 70% RH
EMC Emission	Compliance to EN55011, EN55022 (CISPR22), EN61204-3, Class B EN61000-3-2,-3
EMC Immunity	Compliance to EN61000-4-2, 3, 4, 5, 6, 8, 11, EN55024, EN61000-6-2, EN61204-3, heavy industry level, criteria A

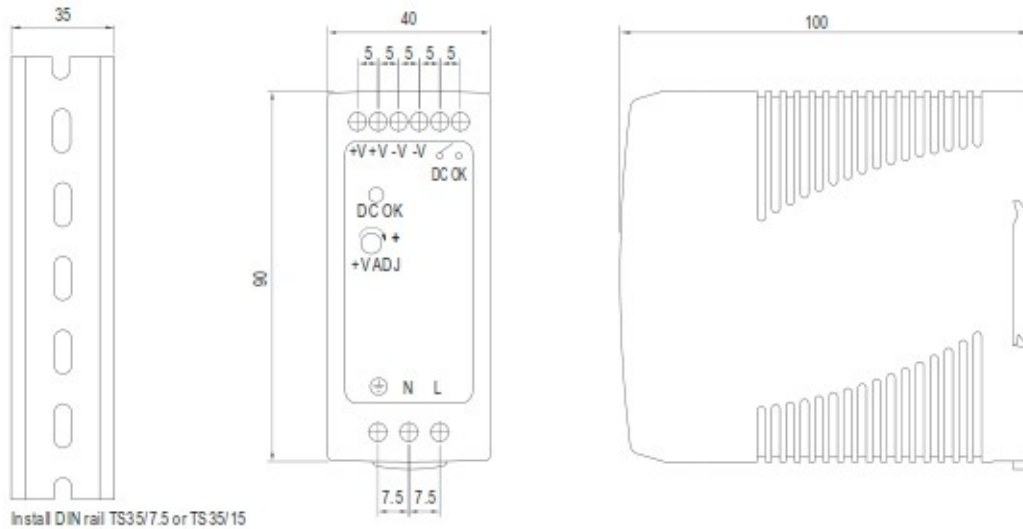
Others	
MTBF	299.2K hrs min. MIL-HDBK-217F (25°C)
Dimension	40 x 90 x 100mm (WxHxD)
Weight	0.33Kg

NOTES:

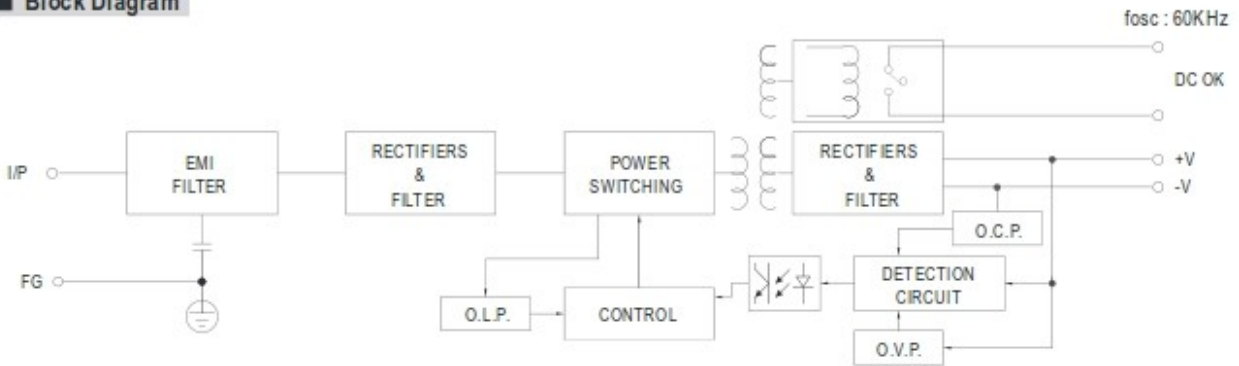
1. All parameters NOT specifically mentioned are measured at 230VAC input, rated load and 25°C of ambient temperature.
2. Ripple & noise are measured at 20MHz of band width by using a 12" twisted pair-wire terminated with a 0.1uf & 47uf parallel capacitor.
3. Tolerance: includes set up tolerance, line regulation and load regulation.
4. The power supply is considered a component which will be installed into a final equipment. The final equipment must be re-confirmed that it still meets EMC directives.
5. Length of set up time is measured at first cold start. Turning ON/OFF the power supply may lead to increase of the set up time.

■ Mechanical Specification

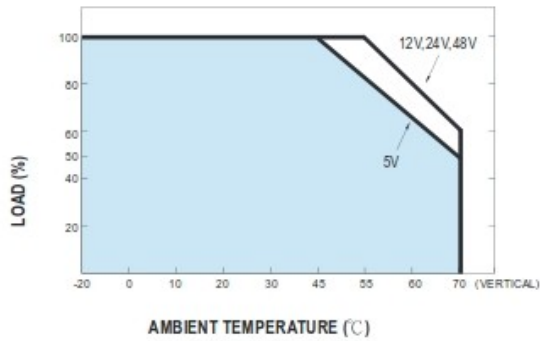
Case No.962A Unit:mm



■ Block Diagram



■ Derating Curve



■ Output Derating VS Input Voltage

