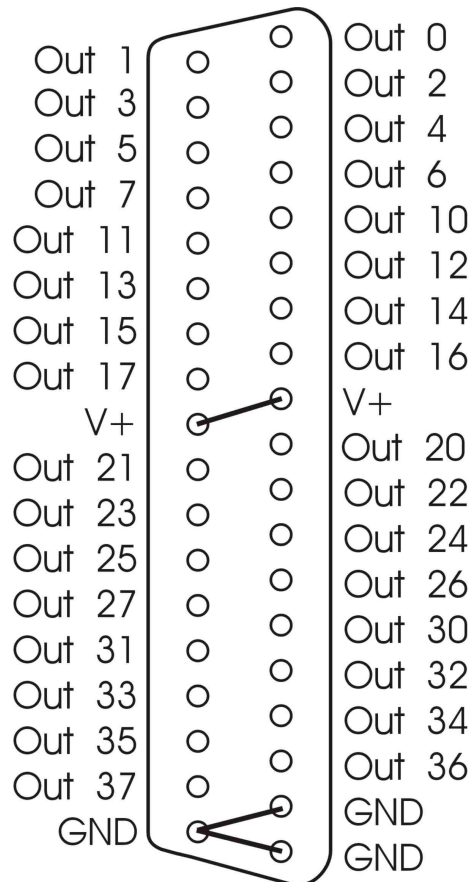




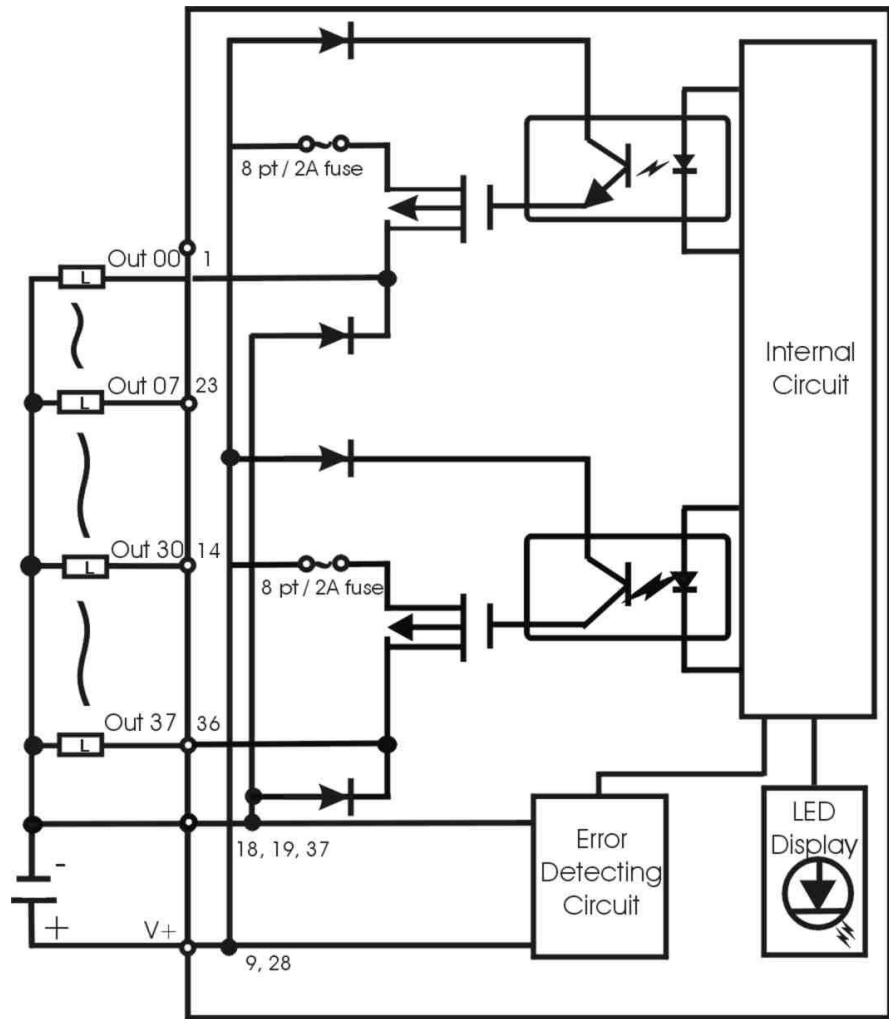
		Specifications
Number of output points		32 points
Insulation method		Photocoupler
Rated load voltage		12/24 VDC
Operating voltage range		10 VDC~35 VDC
Type		PNP/Source
Max. load current		0.1 A/pt., 0.8 A/fuse
Max. output current		0.4 A/10 ms or less
Leakage current at OFF circuit		0.5 mA or less
Max. voltage drop at ON circuit		0.3 V or less
Response time	OFF → ON	2 ms or less (24 VDC)
	ON → OFF	2 ms or less (24 VDC)
Common terminal arrangement		32 points/common
Fuse rating		4 fuses of 2 A each
External power supply	Voltage	12/24 VDC (10 VDC~35 VDC)
	Current	120 mA
Internal current consumption		100 mA (all points ON)
Error display LED		LED goes ON when fuse blows or no external power
Operating indicator LED's		ON state is indicated
External connections		37-pt. D sub connector.
Weight		270 g

Requires XDC20-TB Terminal Block & HDIO-CBL Cable

Module Connector



Equivalent Output Circuit Diagram



Terminal Block Diagram

