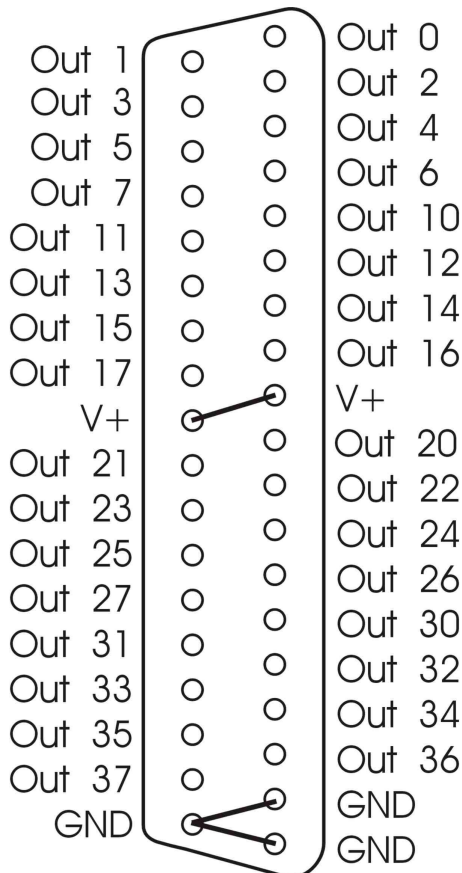




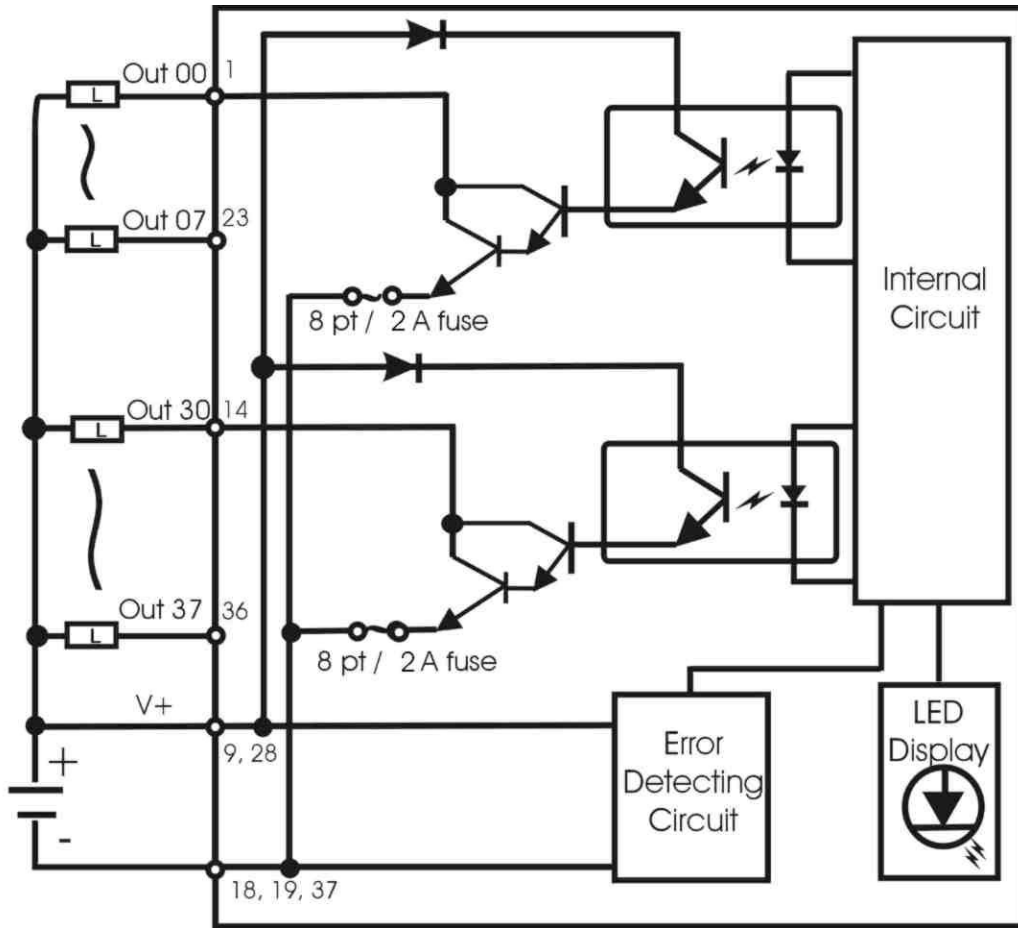
		Specifications
<b>Number of output points</b>		32 points
<b>Insulation method</b>		Photocoupler
<b>Rated load voltage</b>		12/24 VDC
<b>Operating voltage range</b>		10VDC~35 VDC
<b>Type</b>		NPN/Sink
<b>Max. load current</b>		0.1 A/pt, 0.8 A/fuse
<b>Max. output current</b>		0.4 A/10 ms or less
<b>Leakage current at OFF circuit</b>		0.1 mA or less
<b>Max. voltage drop at ON circuit</b>		1.5 V or less
<b>Response time</b>	<b>OFF → ON</b>	2 ms or less (24 VDC)
	<b>ON → OFF</b>	2 ms or less (24 VDC)
<b>Common terminal arrangement</b>		32 points/common
<b>Fuse rating</b>		4 fuses of 2 A each
<b>External power supply</b>	<b>Voltage</b>	12/24 VDC (10 VDC~35 VDC)
	<b>Current</b>	120 mA
<b>Internal current consumption</b>		100 mA, (all points ON)
<b>Error display LED</b>		LED goes ON when fuse blows or no external power
<b>Operating indicator LED's</b>		ON state is indicated
<b>External connections</b>		37-pin D sub-connector
<b>Weight</b>		260 g

**Requires XDC20-TB Terminal Block & HDIO-CBL Cable**

### Module Connector



### Equivalent Output Circuit Diagram



### XDC20-TB Wiring Diagram

